

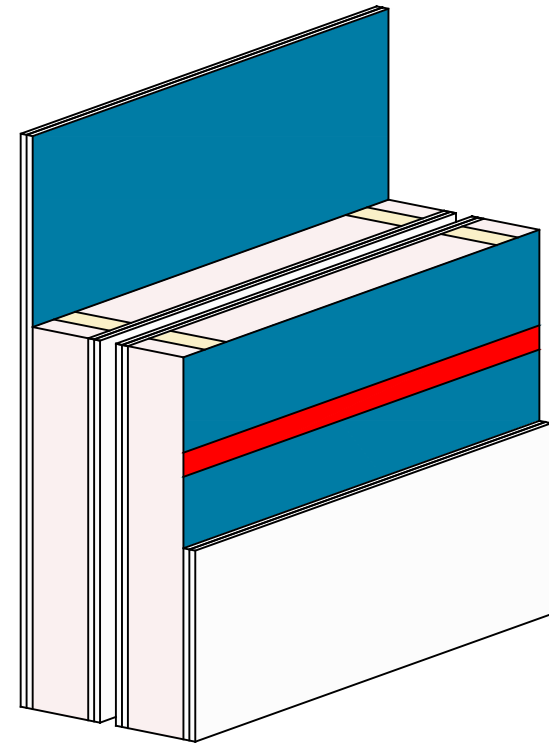
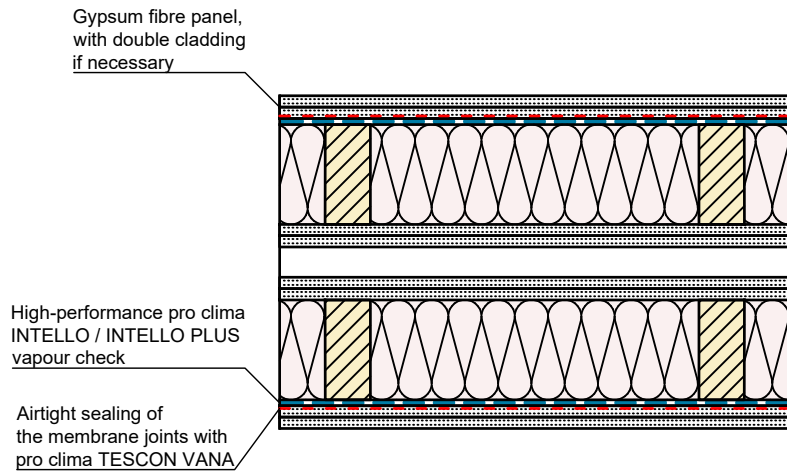
Timber frame construction | Exterior wall

Airtight sealing of racking boards with pro clima TESCON VANA

Typical structural situation to illustrate the airtightness and windtightness layers. When carrying out planning and performing installation on site, please observe the currently applicable technical regulations and the relevant pro clima recommendations for applications and installation. (German version: 09/21; international version 03/23)

pro clima ... and the insulation is perfect





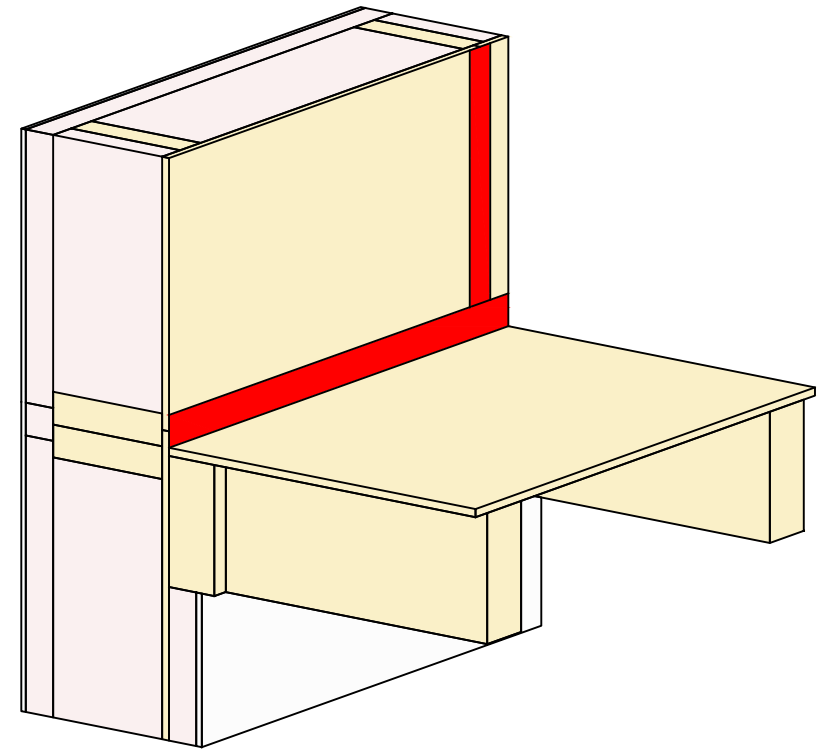
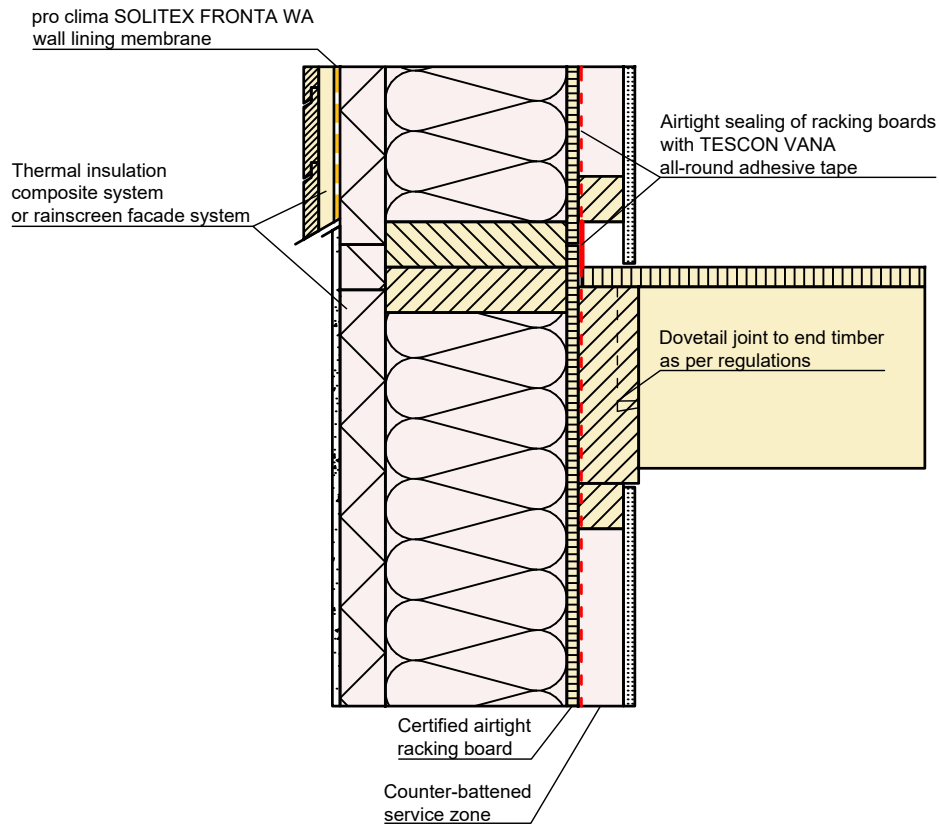
Timber frame construction | Dividing wall

Airtightness with the pro clima INTELLO / PLUS vapour check. Taping of membranes to one another with TESCON VANA.

Typical structural situation to illustrate the airtightness and windtightness layers. When carrying out planning and performing installation on site, please observe the currently applicable technical regulations and the relevant pro clima recommendations for applications and installation. (German version: 09/21; international version 03/23).

pro clima ... and the insulation is perfect





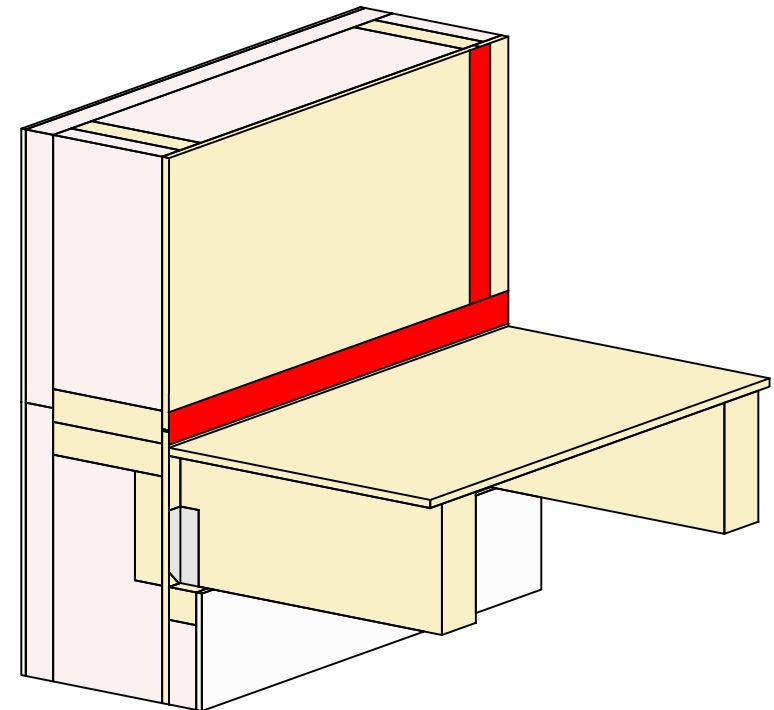
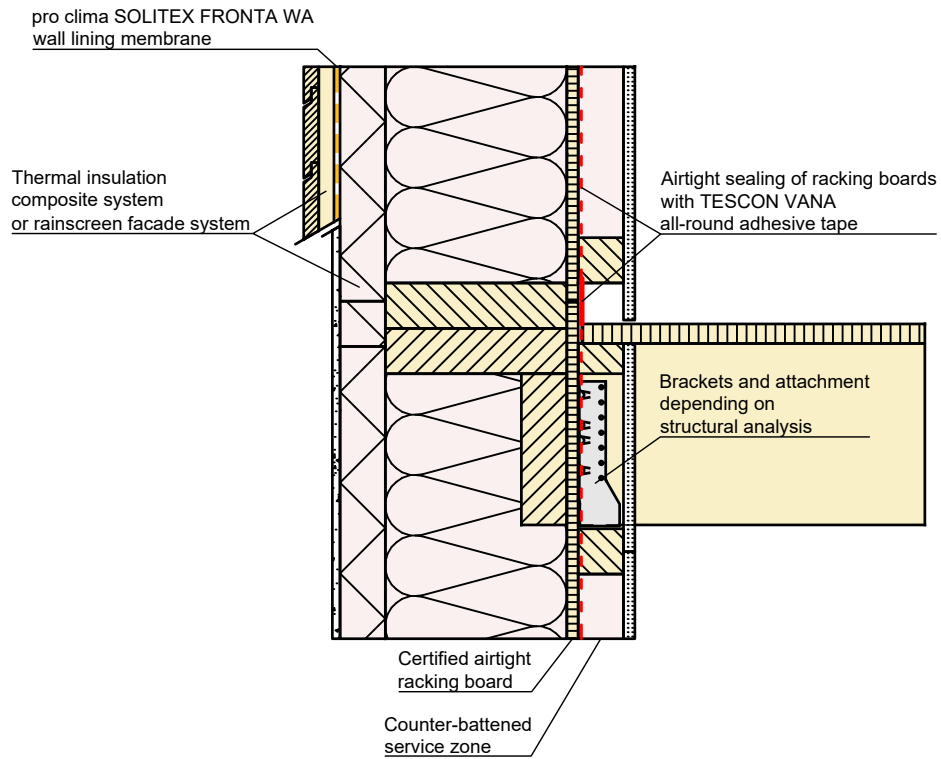
Timber frame construction | Floor joint | Partial balloon framing Var. 1

Airtight sealing of racking boards with pro clima TESCON VANA.

pro clima ... and the insulation is perfect

Typical structural situation to illustrate the airtightness and windtightness layers. When carrying out planning and performing installation on site, please observe the currently applicable technical regulations and the relevant pro clima recommendations for applications and installation. (German version: 09/21; international version 03/23).



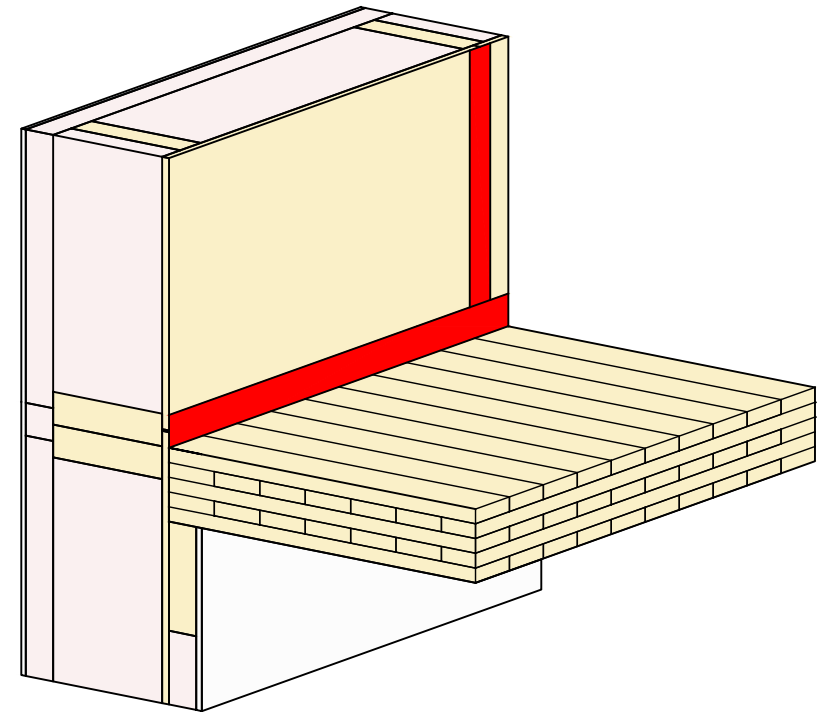
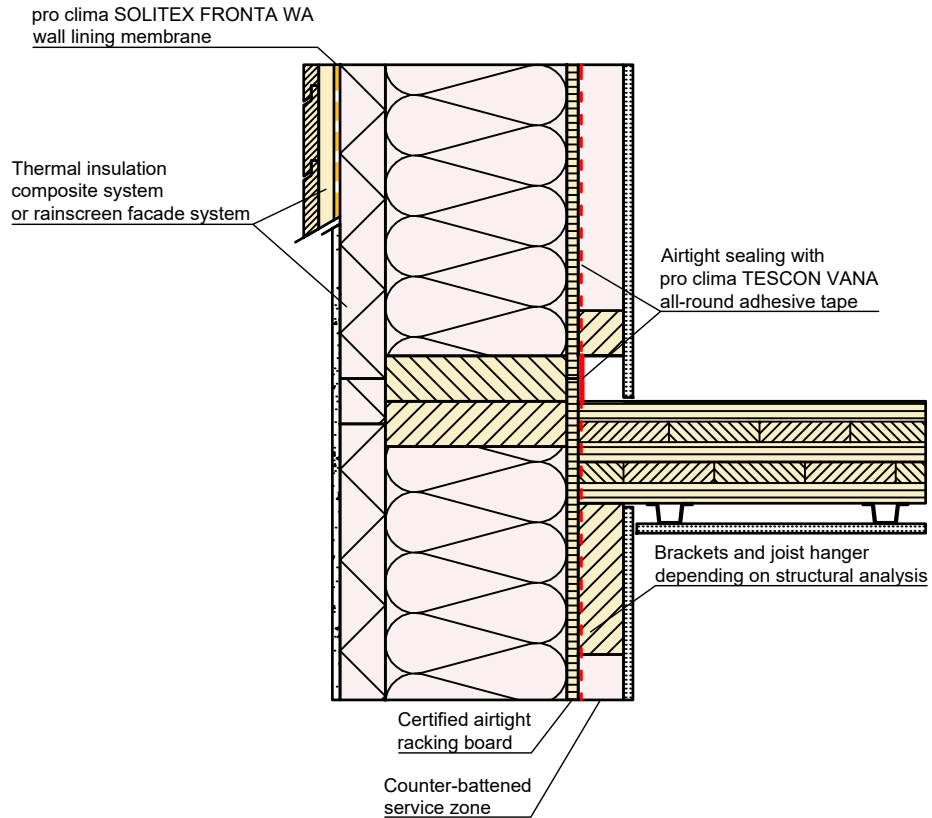


Timber frame construction | Floor joint | Partial balloon framing Var. 2

Airtight sealing of racking boards with pro clima TESCON VANA.

pro clima ... and the insulation is perfect



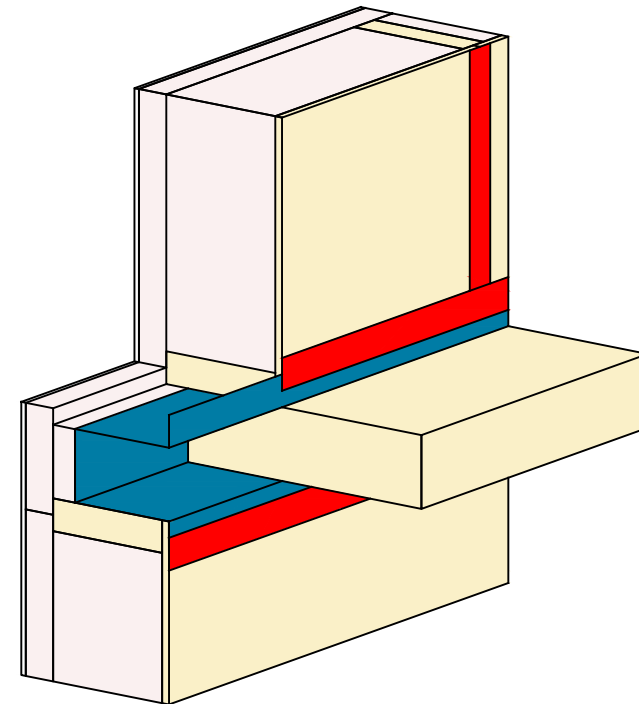
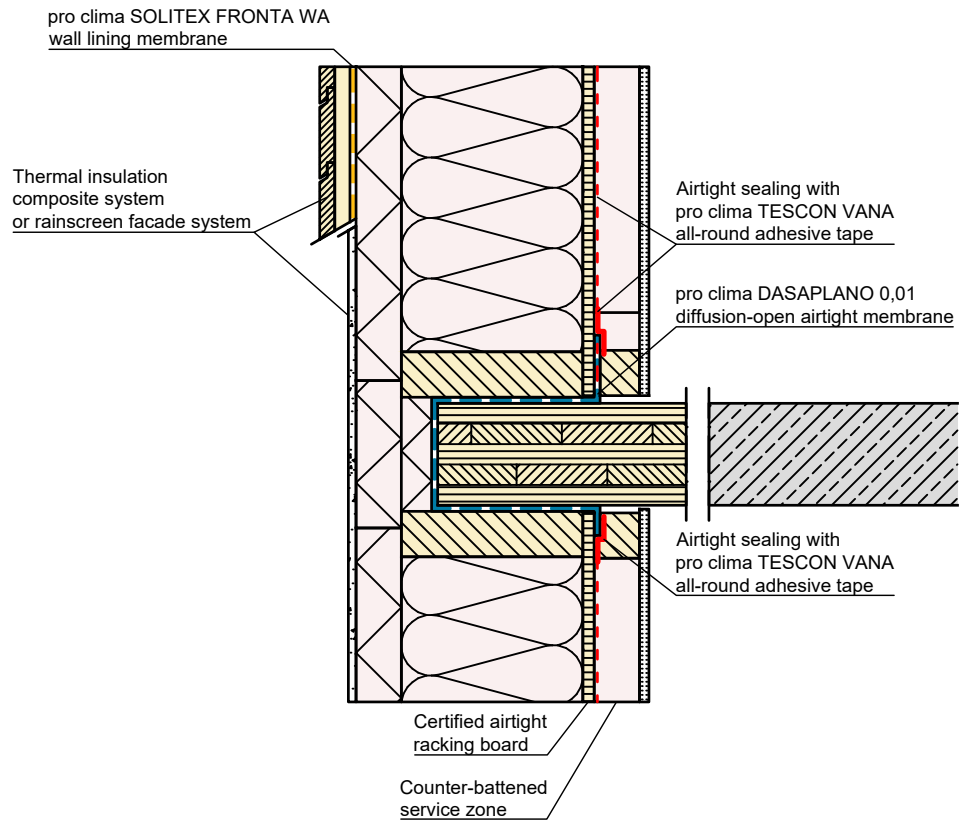


Timber frame construction | Floor joint | Cross-laminated timber ceiling/floor

Airtight sealing of racking boards with pro clima TESCON VANA.

pro clima ... and the insulation is perfect



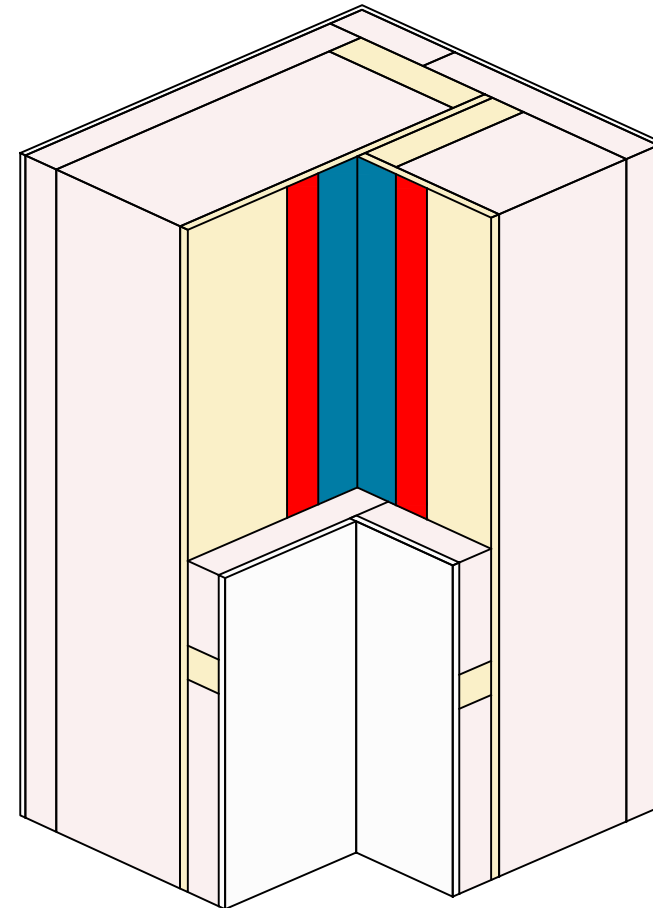
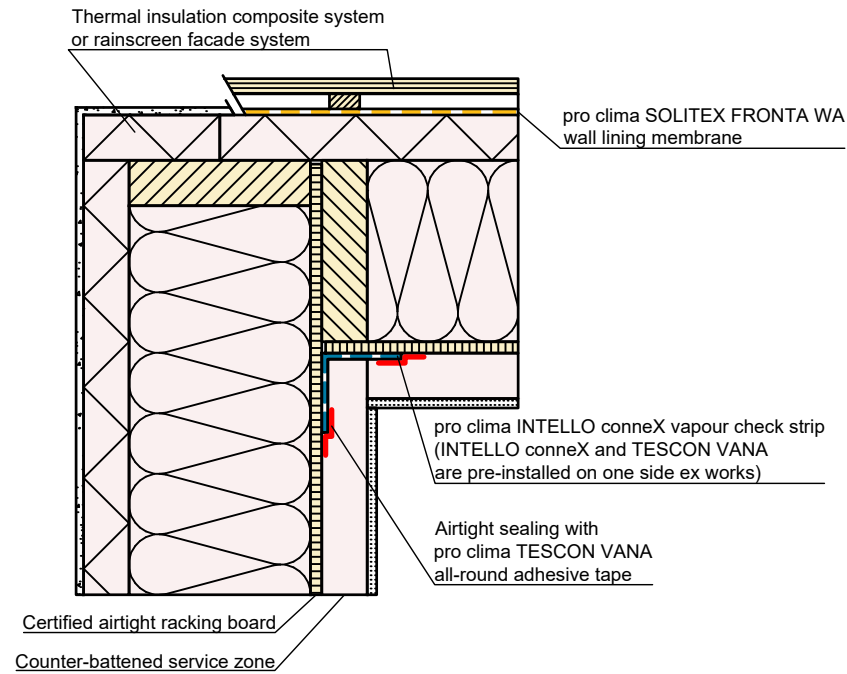


Timber frame construction | Floor joint | Continuous, 'recessed' DASAPLANO 0,01 membrane

pro clima DASAPLANO 0,01 is installed continuously around the floor slab. Joint with airtight layer with pro clima TESCON VANA.

pro clima ... and the insulation is perfect



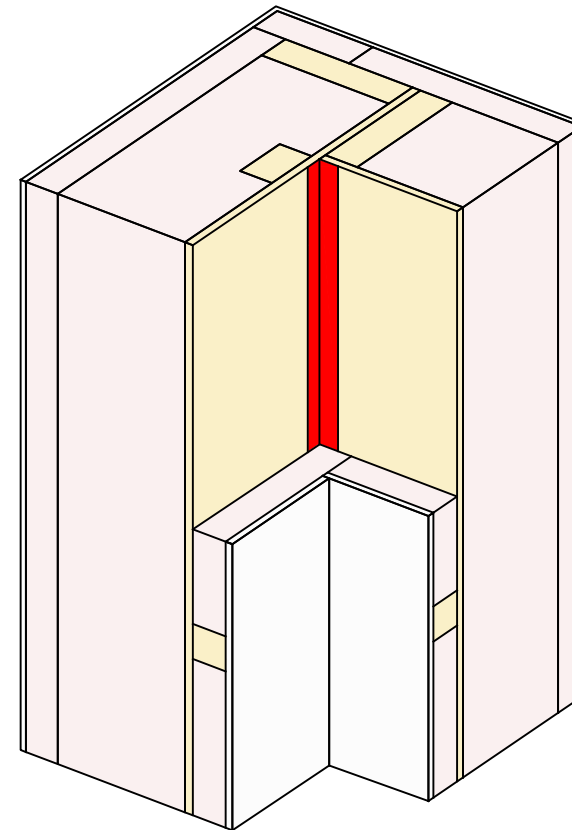
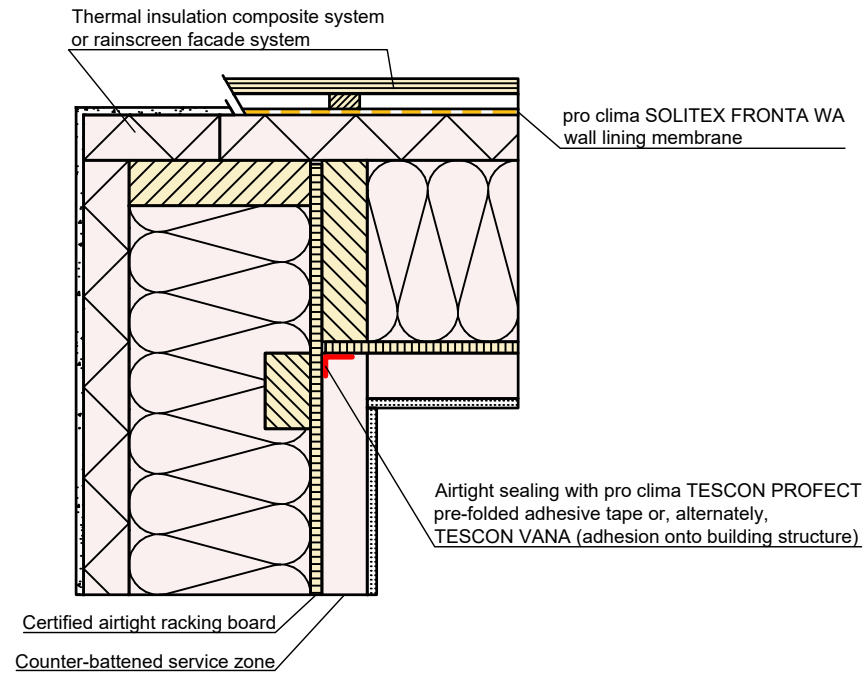


Timber frame construction | Element joint | Exterior corner | Var. 1

Airtight sealing of racking boards with pro clima INTELLO conneX (pre-installed ex works) and TESCON VANA.

pro clima ... and the insulation is perfect



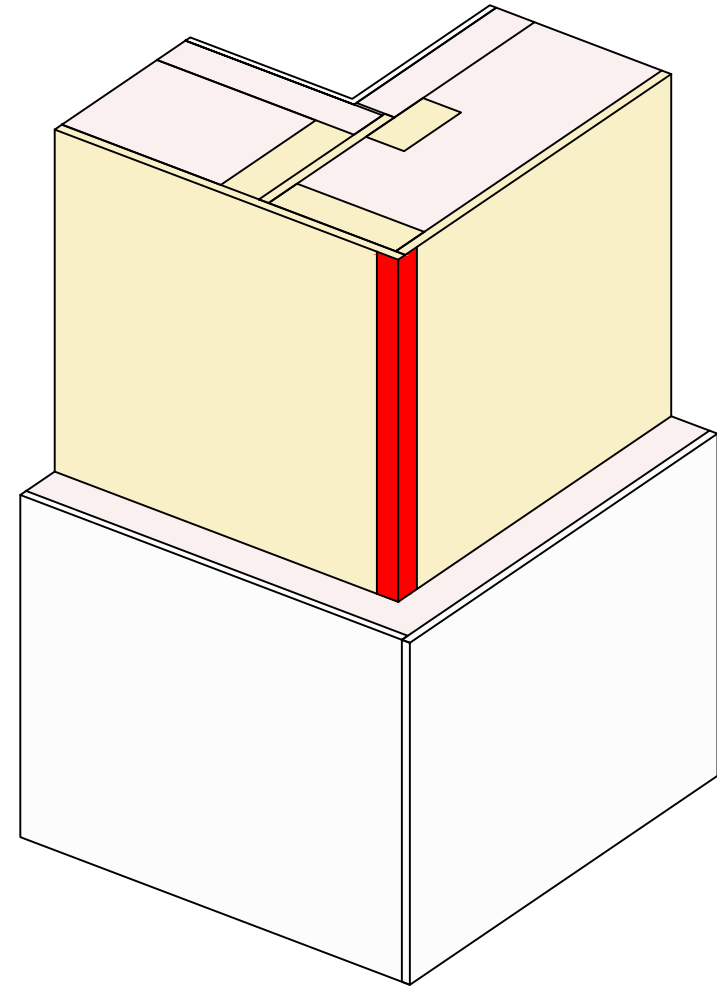
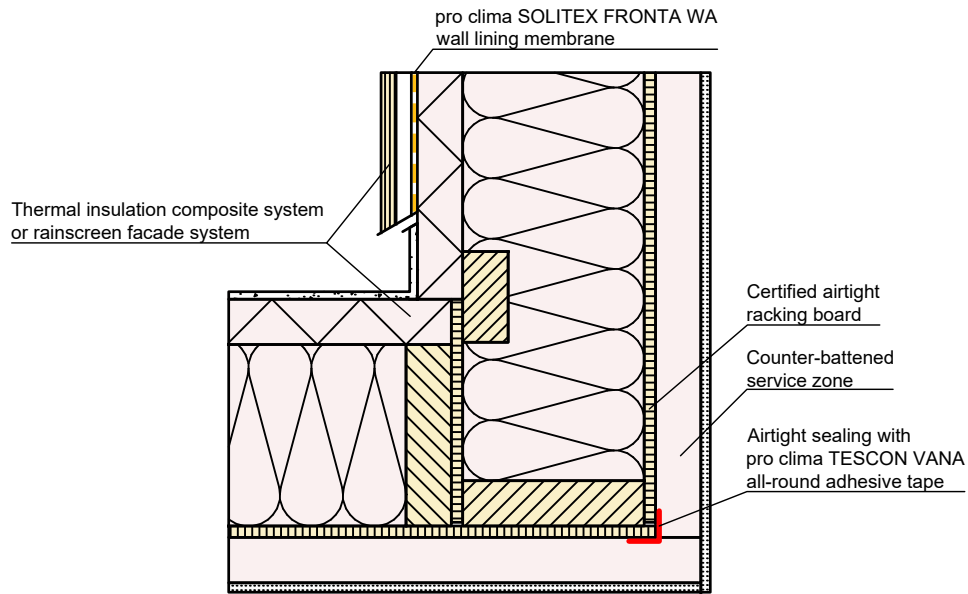


Timber frame construction | Element joint | Exterior corner | Var. 2

Airtight sealing of racking boards with pro clima TESCON PROTECT or TESCON VANA (adhesion onto building structure).

pro clima ... and the insulation is perfect



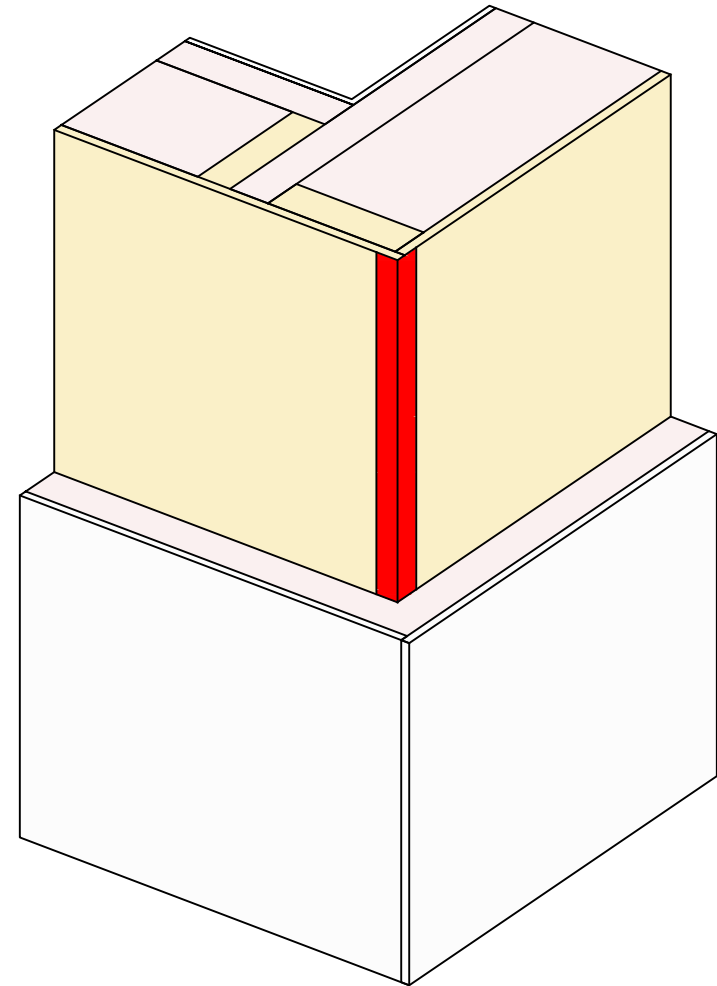
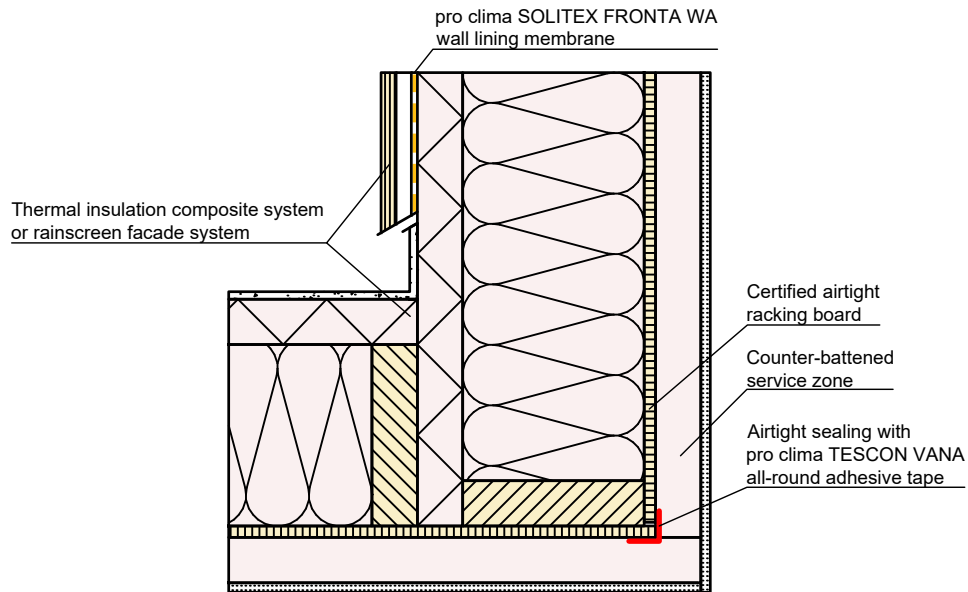


Timber frame construction | Element joint | Interior corner | Var. 1

Airtight sealing of racking boards with pro clima TESCON VANA (adhesion onto building structure).

pro clima ... and the insulation is perfect



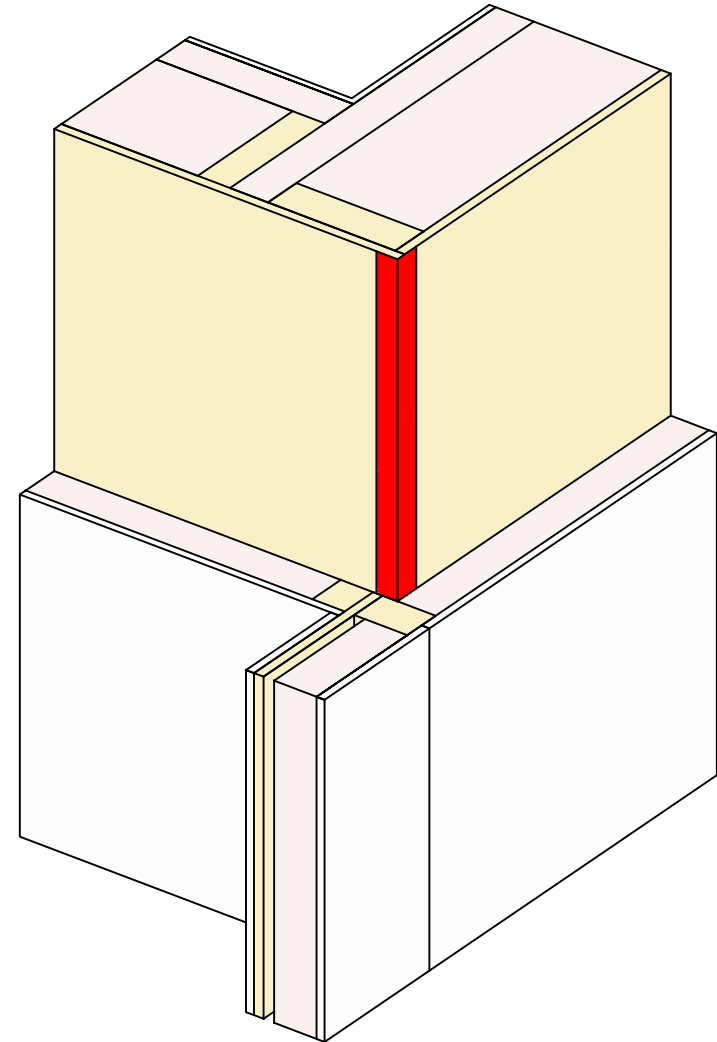
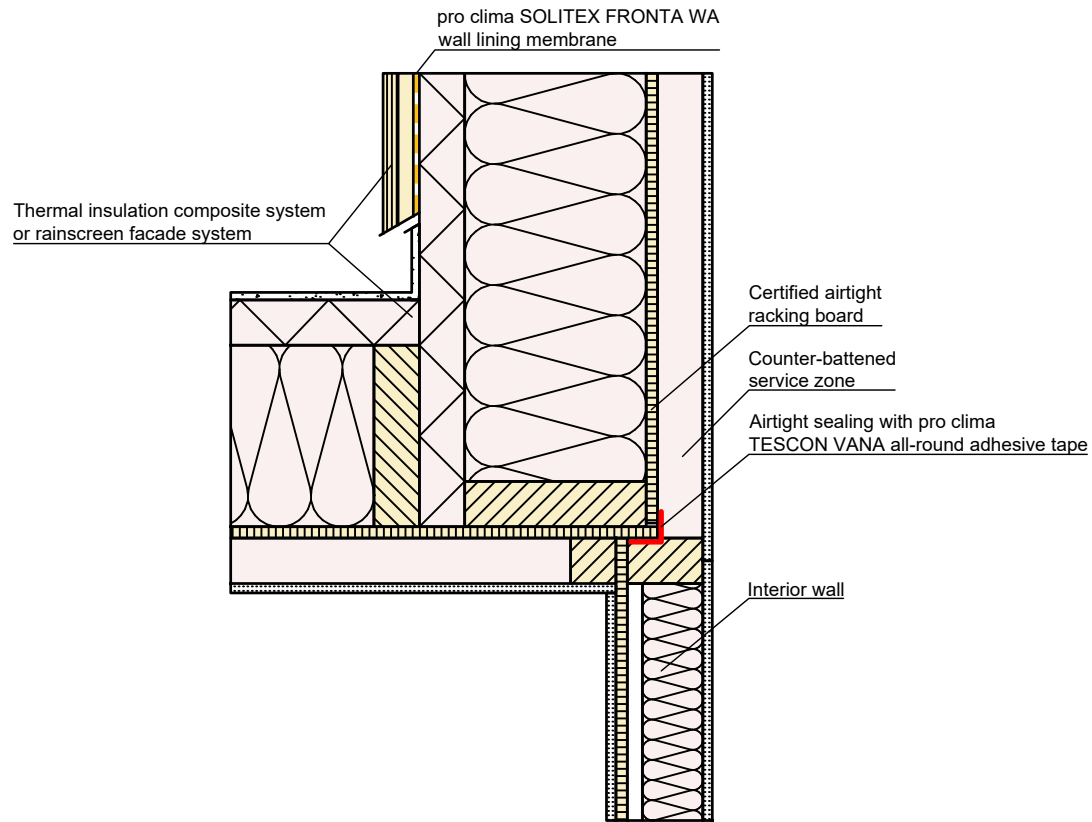


Timber frame construction | Element joint | Interior corner | Var. 2

Airtight sealing of racking boards with pro clima TESCON VANA (adhesion onto building structure).

pro clima ... and the insulation is perfect





Timber frame construction | Element joint | Interior corner | Var. 2 with adjacent interior wall

Airtight sealing of racking boards with pro clima TESCON VANA (adhesion onto building structure).

pro clima ... and the insulation is perfect

